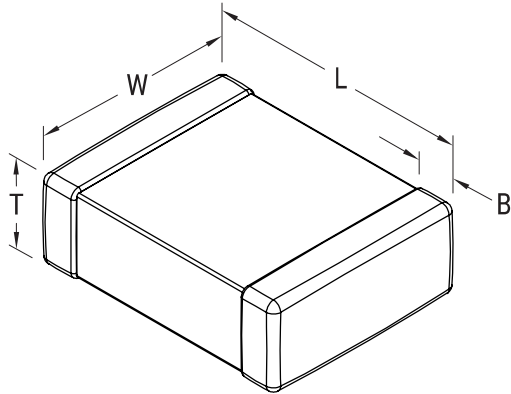


SMD Indust COG HT200C, Ceramic, 0.022 uF, 5%, 100 VDC, COG, SMD, MLCC, High Temperature, Ultra-Stable, Low Loss, 1206



**Dimensions**

<b>L</b>	3.2mm +/-0.2mm
<b>W</b>	1.6mm +/-0.2mm
<b>T</b>	0.9mm +/-0.10mm
<b>B</b>	0.5mm +/-0.25mm

**Packaging Specifications**

<b>Packaging:</b>	Bulk, Bag
<b>Packaging Quantity:</b>	1

**General Information**

<b>Series:</b>	SMD Indust COG HT200C
<b>Style:</b>	SMD Chip
<b>Description:</b>	SMD, MLCC, High Temperature, Ultra-Stable, Low Loss
<b>Features:</b>	High Temp, Ultra-Stable, Low Loss
<b>RoHS:</b>	Yes
<b>Termination:</b>	Gold
<b>Marking:</b>	No
<b>AEC-Q200:</b>	No
<b>Miscellaneous:</b>	Gold (Au) 100 micro inches min.
<b>Chip Size:</b>	1206
<b>Shelf Life:</b>	78 Weeks
<b>MSL:</b>	1

**Specifications**

<b>Capacitance:</b>	22000 pF, 1kHz 1.0Vrms
<b>Capacitance Tolerance:</b>	5%
<b>Voltage DC:</b>	100 VDC
<b>Dielectric Withstanding Voltage:</b>	250 VDC
<b>Temperature Range:</b>	-55/+200°C
<b>Temperature Coefficient:</b>	COG
<b>Capacitance Change with Reference to +25°C and 0 VDC Applied (TCC):</b>	30 ppm/C, 1kHz 1.0Vrms
<b>Dissipation Factor:</b>	0.10% 1kHz 1.0Vrms
<b>Aging Rate:</b>	0% Loss/Decade Hour
<b>Insulation Resistance:</b>	45.455 GOhms

Statements of suitability for certain applications are based on our knowledge of typical operating conditions for such applications, but are not intended to constitute - and we specifically disclaim - any warranty concerning suitability for a specific customer application or use. This Information is intended for use only by customers who have the requisite experience and capability to determine the correct products for their application. Any technical advice inferred from this Information or otherwise provided by us with reference to the use of our products is given gratis, and we assume no obligation or liability for the advice given or results obtained.

单击下面可查看定价，库存，交付和生命周期等信息

[>>KEMET\(基美\)](#)

[>>点击查看相关商品](#)